

Relax...

Refresh...

Rejuvenate...



**LUKER**  
JV LUKER USA

*Designer Fans*





*Relax...*

*Slow down a bit... After all, in life the happiest moments are the minutes you have relished and not long hours or days.*

*We would love to create more such happy moments in your life. Our fans not only deliver soothing breeze but also the designs are an art to watch and relish.*

*The truth is that, the real time to relax is when you feel that you don't have time for it.*

*We have the largest range of fans for any indoor and outdoor applications and would like to welcome you to take a journey through the real world of art of relaxing.*

*Warm regards*

**LUKER**  
JV LUKER USA

# Onassis



- Uniquely designed premium under light fan with LED
- Multi-colour options for setting different ambience
- 1550 mm sweep size





# Angel

- Uniquely designed premium under light fan with LED
- Multi-colour options for setting different ambience
- 1050 mm sweep size



# Augusta



- Uniquely designed premium under light fan with LED
- Multi-colour options for setting different ambience
- 1400 mm sweep size



# Douglas



- Premium under light fan with LED and ABS blades
- Multi-colour options for setting different ambience
- 1600 mm sweep size





# Cyrus



- Premium under light fan with LED and ABS blades
- Multi-colour options for setting different ambience
- 1300 mm sweep size





# UFO



- Uniquely designed premium under light fan with LED
- Multi-colour options for setting different ambience
- 1320 mm sweep size



# Diana

- Uniquely designed premium under light fan with LED
- Multi-colour options for setting different ambience
- 1050 mm sweep size



# Matiz

- Premium under light fan with LED in Antique Brass finish
- Multi-colour options for setting different ambience
- 1200 mm sweep size





# Alba

- Premium under light fan with LED in Stainless Steel finish
- Multi-colour options for setting different ambience
- 1200 mm sweep size



# Ahmoose

*High Speed*

- Sweep 1320 mm
- Electroplated antique finish
- Perfectly streamlined body
- Four blades for optimum air delivery (250 cmm)



**BLACK NICKEL**

**ANTIQUE BRASS**



Sweep (mm)	Power Inputs (watts)	Speed RPM	Air Delivery (CMM)
1320	75	350	250

# Khafre

High Speed

- Sweep 1200 mm
- Electroplated antique finish
- Perfectly streamlined body
- Optimum air delivery



**ANTIQUÉ COPPER**

**BRUSHED NICKEL**

Sweep (mm)	Power Inputs (watts)	Speed RPM	Air Delivery (CMM)
1200	75	350	230



# Khufu

High Speed



**BLACK NICKEL**



**ANTIQUÉ COPPER**



	Sweep (mm)	Power Inputs (Watts)	Speed RPM	Air Delivery (CMM)
	1200	75	350	230

# Galaxy



WHITE

# Galaxy

- 6 Blade design for maximum air delivery
- In Built Multi Colour LED Underlight
- Complete Function Remote



Sweep (mm)	Power Inputs (watts)	Speed RPM	Air Delivery (CMM)
1200	30	390	230



# Decibel



PEARL WHITE

# Decibel



**BROWN**



**WOODEN FINISH**

Sweep (mm)	Power Inputs (watts)	Air Delivery (CMM)
1200	70	250

# Luxxe



WHITE



# Luxxe

- Premium under light fan with LED for home decor
- LED light intensity adjustment as per need
- Remote operation for fan and LED



**BROWN**



**IVORY**



Sweep (mm)	Power Inputs (watts)	Speed RPM	Air Delivery (CMM)
1200	72	400	230

# ECO 30

*High Speed*



WHITE



# ECO 30

High Speed

- Energy efficient model
- Consumes less than 50% power
- Wide blades for superior air delivery



Sweep (mm)	Power Inputs (watts)	Speed RPM	Air Delivery (CMM)
1200	30	390	230



# ECO 28

*High Speed* **PRIME**



WHITE

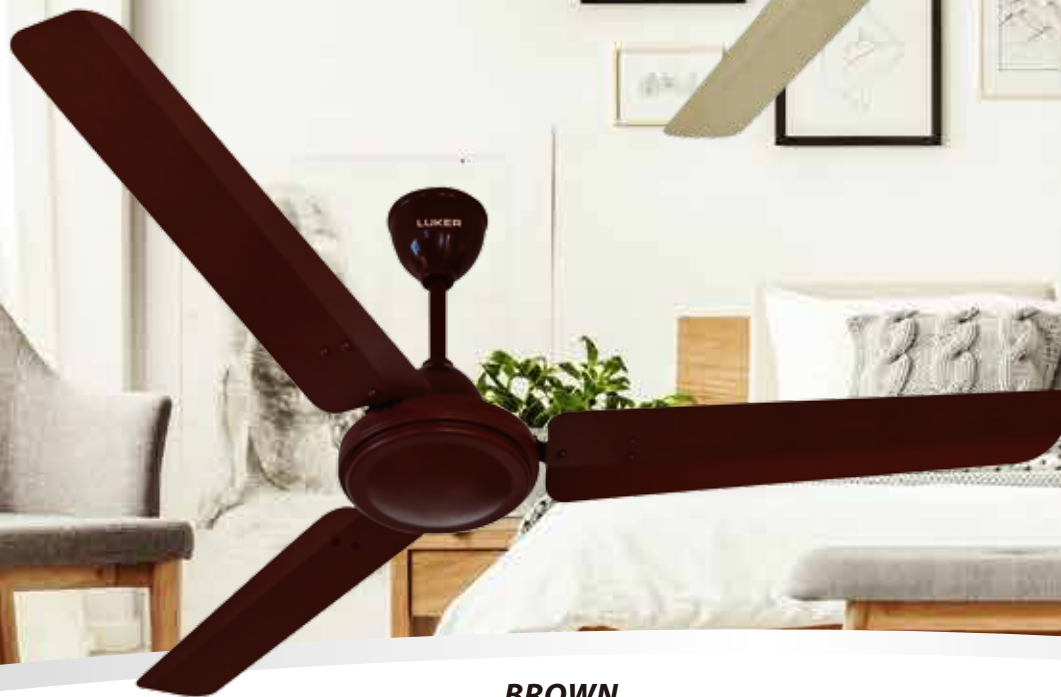
# ECO 28

High Speed **PRIME**

- Energy efficient model
- Consumes less than 50% power
- Wide blades for superior air delivery



IVORY



BROWN



Sweep (mm)	Power Inputs (watts)	Speed RPM	Air Delivery (CMM)
1200	30	390	230



**ECO** DECO  
**28**  
*High Speed*



**SMOKY BROWN**



# ECO DECO 28

High Speed

- Energy efficient model
- Consumes less than 50% power
- Wide blades for superior air delivery



WHITE



Sweep (mm)	Power Inputs (watts)	Speed RPM	Air Delivery (CMM)
1200	30	390	230

# Valentine

*High Speed*



GLORIOUS GOLD



ROSE PINK



SLATE CHROME



BIRKEN GOLD



BAKER BROWN



SPARKLE BRONZE



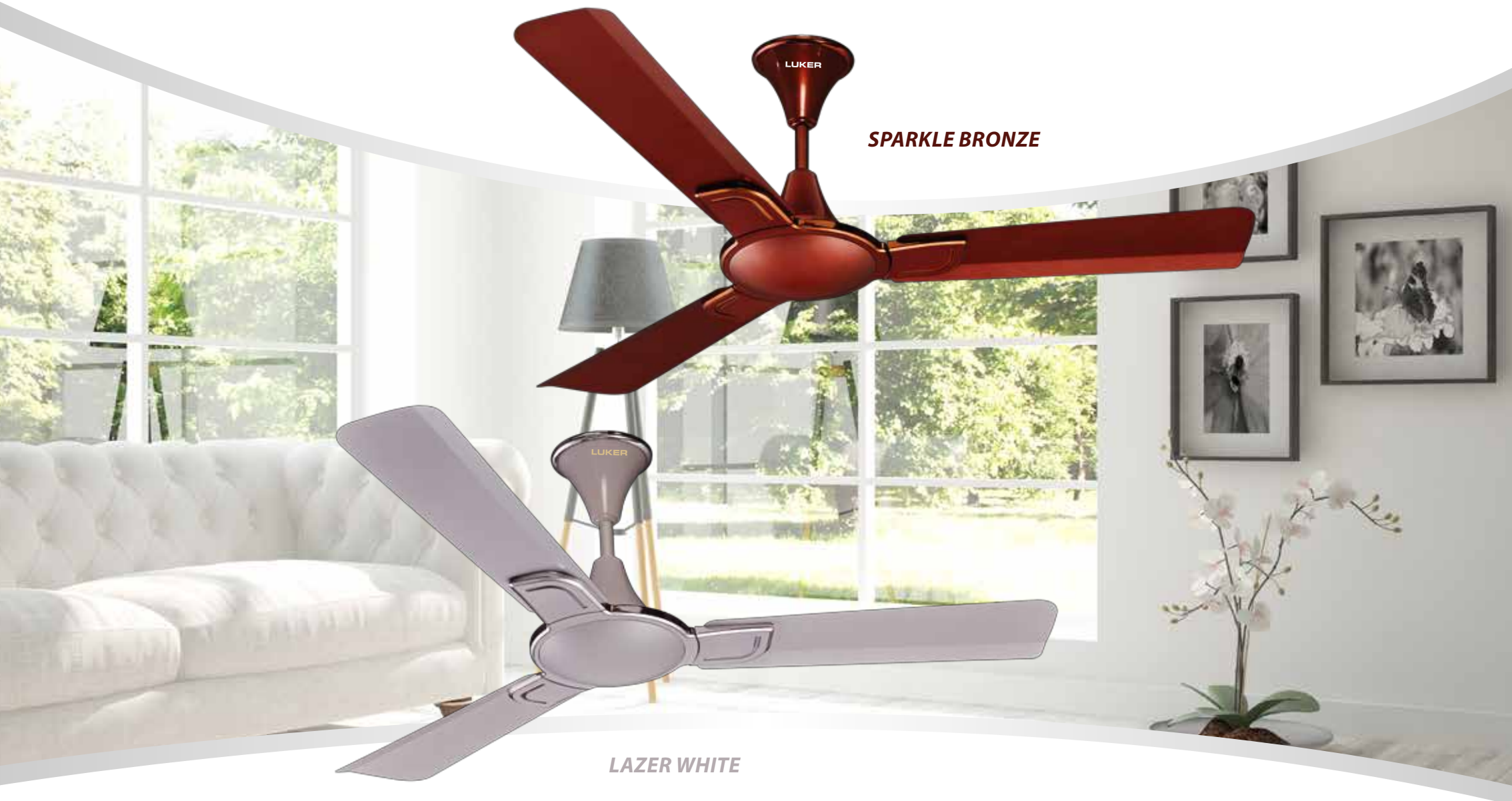
MIST LAVENDER



# Valentine

*High Speed*

- Elegant design to complement modern decor
- Metallic finish for superior aesthetics
- Broad and aerodynamically designed blades for high air delivery



**SPARKLE BRONZE**

**LAZER WHITE**

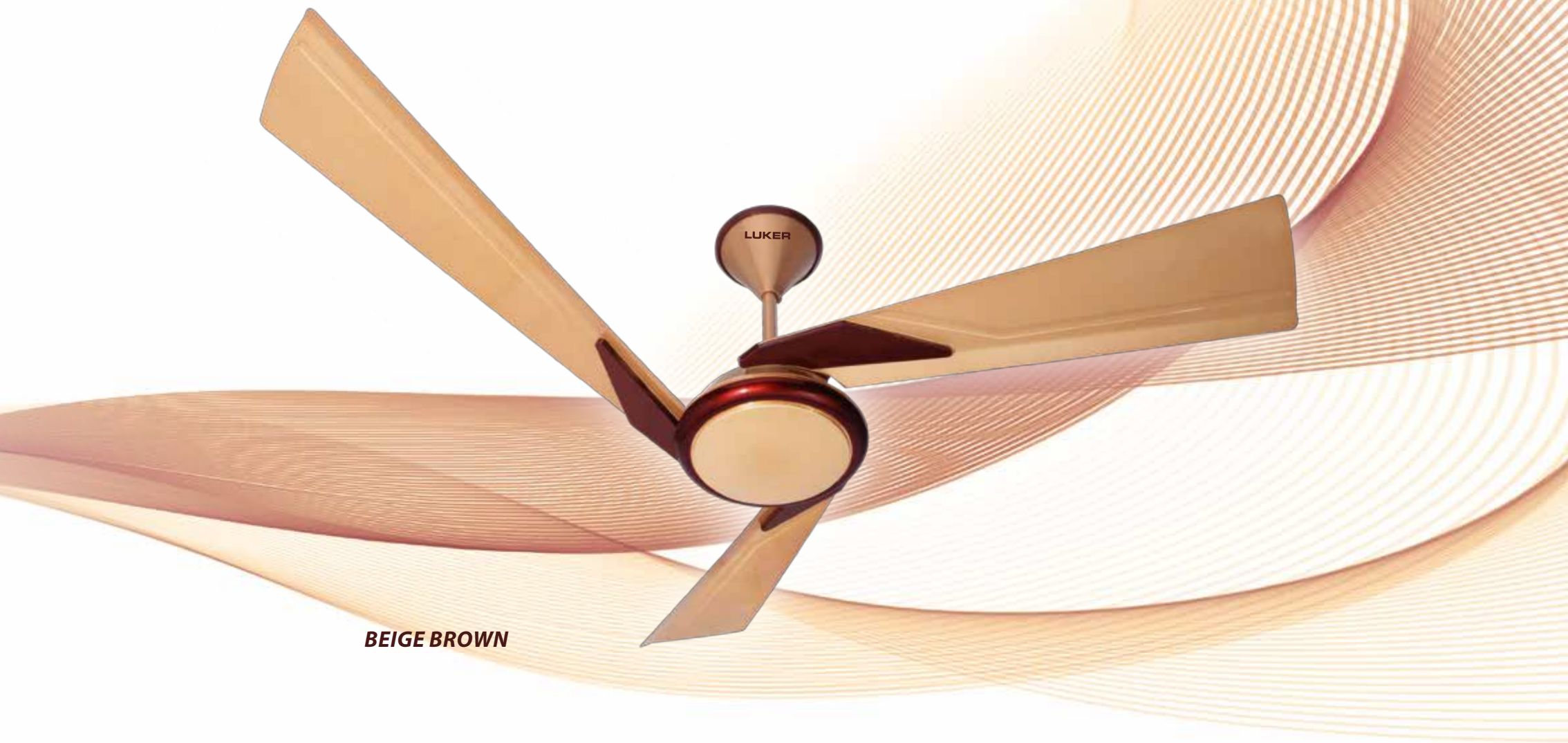


Sweep (mm)	Power Inputs (watts)	Speed RPM	Air Delivery (CMM)
1200	72	390	240



# Twister

High Speed



**BEIGE BROWN**

# Twister

High Speed

- Contemporary design to complement modern decor
- Metallic finish for superior aesthetics
- Wide blades for high air delivery



BEIGE BROWN



PEARL WHITE



Sweep (mm)	Power Inputs (watts)	Speed RPM	Air Delivery (CMM)
1200	72	390	240



**Crizz**  
*High Speed*



ROSE GOLD



- Contemporary design to complement modern decor
- Metallic finish for superior aesthetics
- Broad and aerodynamically designed blades for high air delivery



**PEARL GREEN**



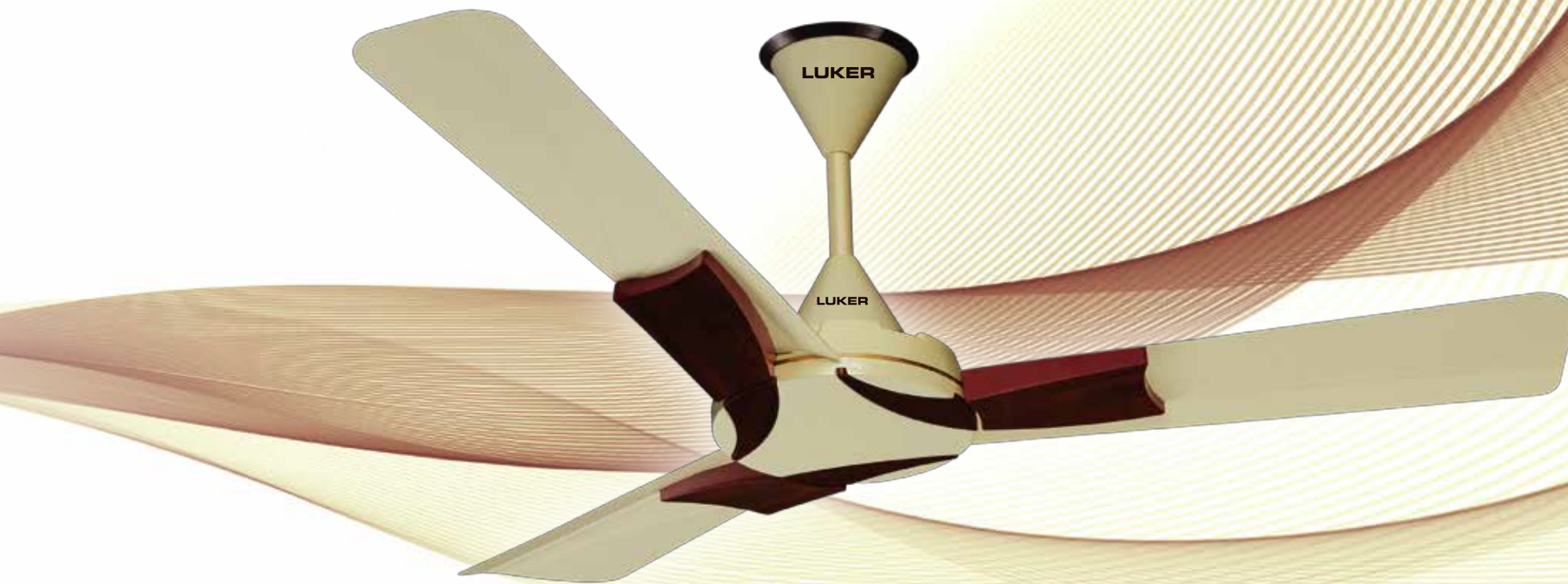
**PEARL GREY**



Sweep (mm)	Power Inputs (watts)	Speed RPM	Air Delivery (CMM)
1200	72	390	240

# Cozzy

*High Speed*



**IVORY WOOD**



- Elegant looks with stylish trims
- Innovative designer fan blade
- Available in stunning colour combinations



**BAKER BROWN**



**INDIGO BLUE**



Sweep (mm)	Power Inputs (watts)	Speed RPM	Air Delivery (CMM)
1200	72	390	240



# Breezze

*High Speed*



**MATTE BLACK**

# Breezeze

*High Speed*

- Elegant design with powerful motor
- Metallic finish for superior aesthetics
- Broad and aerodynamically designed blades for high air delivery



**SATIN GOLD**



**MATTE CHERRY RED**



**OCEAN BLUE**



**PEARL WHITE**



Sweep (mm)	Power Inputs (watts)	Speed RPM	Air Delivery (CMM)
1200	72	390	240



# Flora Delux

High Speed



**CHERRY RED**



# Flora Delux

High Speed

- Elegant design to complement modern decor
- Innovative designer fan blade
- Available in stunning colour combinations



Sweep (mm)	Power Inputs (watts)	Speed RPM	Air Delivery (CMM)
1200	72	390	240

# Duster

*High Speed Plus*



**COFFEE BRONZE**

# Duster

**High Speed Plus**

- Elegant looks with decorative trims
- Matt Metallic finish for superior aesthetics
- Aerodynamically designed blades for high air delivery



WHITE

IVORY

COOL GREY



Sweep (mm)	Power Inputs (watts)	Speed RPM	Air Delivery (CMM)
1200	72	390	240



**Jones**  
*High Speed*



WHITE

# Jones

*High Speed*

- Decorative trims on Motors and Blades
- Double ball bearing
- 100% pure copper winding
- Long Lasting performance



**SMOKEY BROWN**



**IVORY**



Sweep (mm)	Power Inputs (watts)	Speed RPM	Air Delivery (CMM)
1200	72	390	240



# Marta

High Speed



WHITE



# Marta

*High Speed*

- Double ball bearing
- 100% pure copper winding
- Full aluminium body for long-lasting performance



**LUSTER BROWN**



**IVORY**



Sweep (mm)	Power Inputs (watts)	Speed RPM	Air Delivery (CMM)
1200	72	390	240

# Astro XL

*High Speed*



WHITE



# Astro XL

High Speed

- Die cast Aluminium body for longer durability
- Broad and aerodynamically designed blades for high air delivery
- Available in multiple sweeps

**BROWN**



**IVORY**



Sweep (mm)	Power Inputs (watts)	Speed RPM	Air Delivery (CMM)
1400	76	300	260
1200	72	390	240
900	62	420	150
600	65	860	120





# Nano Plus

High Speed



WHITE

# Nano Plus

High Speed

- Elegant looks with brilliant performance
- Long lasting performance
- Aerodynamically designed blades

LUSTER BROWN



IVORY



Sweep (mm)	Power Inputs (watts)	Speed RPM	Air Delivery (CMM)
1200	72	390	240



# Nano XL

*High Speed*



WHITE



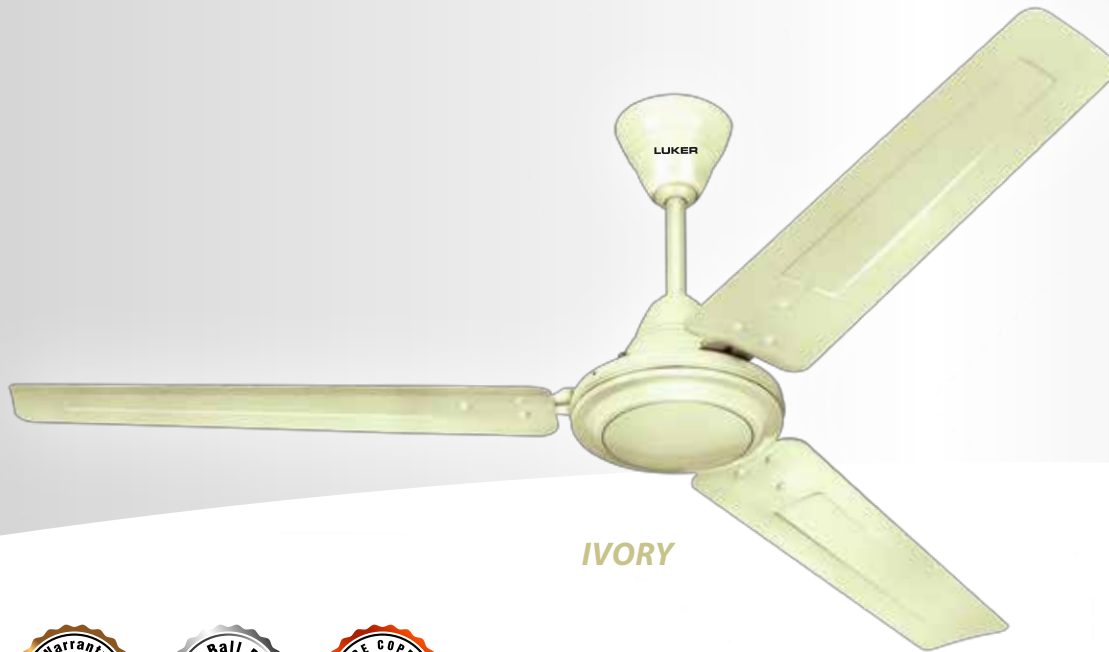
# Nano XL

High Speed

- Elegant looks with brilliant performance
- Long lasting performance
- Aerodynamically designed blades



LUSTER BROWN



IVORY



Sweep (mm)	Power Inputs (watts)	Speed RPM	Air Delivery (CMM)
1200	72	390	240

# Astro Plus

*High Speed*



WHITE

# Astro Plus

**High Speed**

- Die cast Aluminium body for longer durability
- Broad and aerodynamically designed blades for high air delivery
- Available in multiple sweeps



**MATTE BROWN**



**IVORY**



Sweep (mm)	Power Inputs (watts)	Speed RPM	Air Delivery (CMM)
1200	72	390	240



# Phonic Plus

High Speed



WHITE

# Phonic Plus

High Speed

- Designer trims add to the decor
- Elegant looks with brilliant performance
- Ribbed blades for longer durability



LUSTER BROWN

IVORY



Sweep (mm)	Power Inputs (watts)	Speed RPM	Air Delivery (CMM)
1200	72	390	240



# Astro XL 600 mm

High Speed



WHITE



# Astro XL 600 mm

High Speed

- Double ball bearing
- 100% pure copper winding
- Long Lasting performance



**BROWN**



**WHITE**

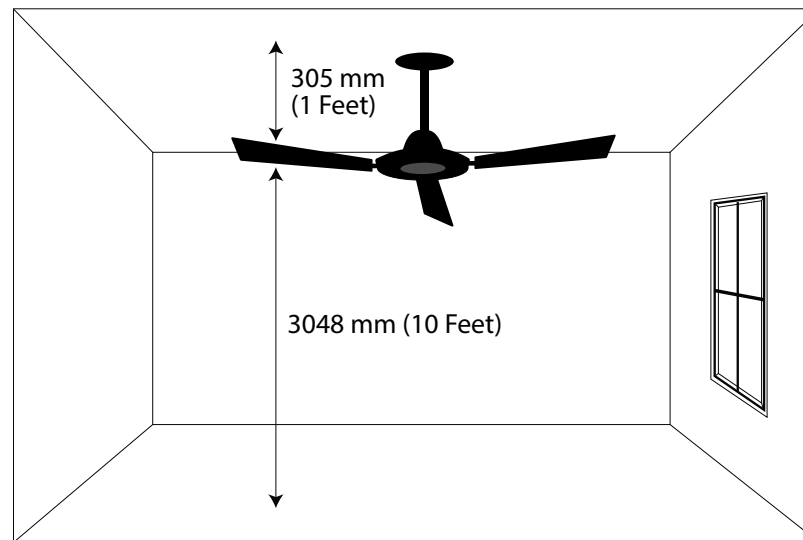


Sweep (mm)	Power Inputs (watts)	Speed RPM	Air Delivery (CMM)
600	72	850	130

# BUYERS SELECTION GUIDE

## CEILING FANS RECOMMENDED SWEEP FOR DIFFERENT ROOM SIZES

Model Size	Sweep / size (mm)	Suitable for room size
Ceiling Fan	600 mm	For Small Shops, Cabins & Toilets
Ceiling Fan	750 mm	5.5 m <sup>2</sup> (6 feet x 10 feet)
Ceiling Fan	900 mm	6.5 m <sup>2</sup> (7 feet x 10 feet)
Ceiling Fan	1050 mm	9.3 m <sup>2</sup> (10 feet x 10 feet)
Ceiling Fan	1200 mm	14.5 m <sup>2</sup> (12 feet x 13 feet)
Ceiling Fan	1400 mm	20.8 m <sup>2</sup> (14 feet x 16 feet)



To optimize the air delivery, ceiling fan should be approximately 10 feet from the ground level and 1 feet below the ceiling.

For larger room with more than one fan, the centre distance between each fan would vary with the sweep/size of the fan.

For large halls, auditoriums, offices, install two or more ceiling fans with a space as specified below

Sweep of Fan (mm)	Centre Distance
900 mm	1.8 m (6 feet)
1050 mm	2.1 m (7 feet)
1200 mm	2.4 m (8 feet)
1400 mm	3.0 m (10 feet)



---

---

## WARRANTY TERMS AND CONDITIONS



The company, Luker Electric Technologies Pvt. Ltd., offers a warranty period of 24\* months to buyers of its products under conditions set out hereafter. The warranty period applies to functional defects of the company's range of products, resulting from defectiveness of the material being used or irregularities in the production process, provided that the product is mounted and used in accordance with the manufacturer's instructions and requirements mentioned in the catalogue or instruction manuals provided. Kindly note that different products are provided with different warranty periods and it is mentioned in the product catalogues or may be confirmed with the company before purchase.

Products for which warranty is provided, the manufacturer will repair or replace, at its discretion, with products of the same type and, at least, the same quality at its own expense. The company will not cover any losses caused to property or person, directly or indirectly, with the usage of the company's range of products. The maximum liability due to malfunction of the product is limited only up to the purchase cost of the product.

The warranty is invalid and not applicable in the case of conditions further detailed below:

If the product is not used in accordance with the manufacturer's instructions or the product is used for purposes other than those for which it was designed or the incorrect assembly of the product. If mechanical damage and faults caused by the buyer's or third party's incorrect handling of the product or damage and faults caused by natural disasters (lightning, earthquake, fire, floods etc.) or incorrect electrical voltage (for example, electrical stroke, high voltage surge). If any repairs and interventions on products by unauthorized persons or any modifications of the product done by the customer. Any disputes arising under this warranty clause shall fall only within the jurisdiction of the courts at Ernakulam, Kerala, India.





### LUKER ELECTRIC TECHNOLOGIES PVT. LTD.

**Regd. Office** : 34/1912-C1, Mattathil Lane, BTS Road, Kochi-682024, Ernakulam, Kerala  
**Corp. Office** : 2<sup>nd</sup> Floor, Jain Tower, NH-17 Bypass, Opp. Lulu Mall, Edappally, Kochi-682 024  
Ph: +91-8129333131, 9746497564, 9895011400, Email: sales@lukerindia.com  
**Factory** : 227, Pollachi Road, Eachanari Village, Coimbatore - 641 02, Ph: +91 9994433151, +91 9447140720  
**Tamil Nadu** : Coimbatore: No.22, A.T.T. Colony, First Floor, A.V. Centre, V.O.C. Park Road, Coimbatore-641018  
Ph: 0422 2309977, 9994481477  
Chennai : No. 11/6, Damodaran Street, Chetpet, Chennai-600031, Ph: +91 9994422007  
**Karnataka** : #1583, 13th Main, 20th Cross, B-Block, Sahakar Nagar, Bangalore-560092, Ph: 9739677890  
**Hyderabad** : Door No.101, First Floor, Abhinandan Apt, Plot No. E32, Vikrampuri Housing Colony,  
Secunderabad-500009, Ph: +91 040-27746268, 9866077902, 9866190316,  
Email: hyd@lukerindia.com,  
**Mumbai** : 1806, Lodha Supremus, Saki Vihar Road, Opp. M.T.N.L. Building, Andheri (East), Mumbai-400072,  
Ph: +91 9820009055, +91 9769207676  
**Delhi** : Plot at KH No 53/11/1, First floor , Firmi Road, Mundka, New Delhi-110041  
Ph: +91 8510981234  
**Ahmedabad** : G-102, Smarana Bakeri City, Near Torrent Power, Sonal Cinema Road, Vejalpur, Ahmedabad-380051,  
Gujarat, Ph: +91 9687300643, Email: sales@lukerindia.com  
**Kolkata** : 7/1 Lord Sinha Road, Lords, Room No. 313, 3<sup>rd</sup> floor, Kolkata-700 071, Ph: 9007277527  
**Representative offices at** : Warangal - 9948546699, Karim Nagar - 8801142143, Kakinada - 9393252573  
Mangalore - 7022119165, Chennai - 9994422007, Salem - 9994447996 / 9994013192, Trichy - 8056180666 /  
8248401759, Pondicherry - 9994491117, Madurai - 7708111815, Pune - 9890696933, Nagpur - 7774038283,  
Nasik - 7769091911, Baroda - 9687300643, Raipur - 7774038283, Bhopal - 7774038283, Vijayawada - 9553770189,  
Visakhapatnam - 9246999368, Goa - 9158159062, Indore - 9329754005, Surat - 9825506072, Rajkot - 9825506072,  
Jabalpur - 9329754005, Gwalior - 9329754005, Eluru - 7306613030

Luker Electric Technologies Inc.

1 Cragwood RD STE 103A, S Plainfield, NJ 07080, U S A, Ph: +1 (914) 573-1616

[www.lukerus.com](http://www.lukerus.com)

Luker Inc.  
Dean Park Road,  
Scarpoorough,  
Toronto, Canada

Luker Inc.  
25, Bon Church Road  
ELM Grove  
Brighton, United Kingdom

Luker Inc.  
9 Ivy Court,  
Cranbourne North  
Victoria 3977, Melbourne

Luker Electric Tech. LLC  
173, Road 1111/311  
Manama, P.O. Box 1049  
Kingdom of Bahrain

Consumer Care No.: 1800 120 2350